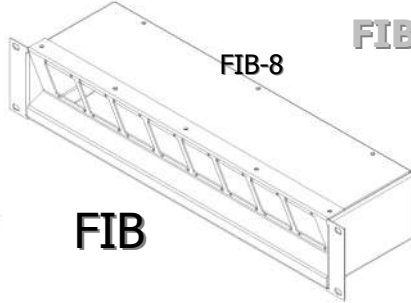


FIP-8



FIB-8

FIB Plates (Universal) can hold:

Lemo, Male or Female Bulkhead

OpticalCON, DUO or QUAD

2 x ST/SC/LC with Molex/AMP Breakout

6 x ST/SC/LC Bulkheads

2 x EtherCON for Ethernet (Cat-5 or Cat-6)

2 x XLR (D)

2 x BNC (D)

2 x DB-9 Panel Mount

2 x ST with 1 x EtherCON

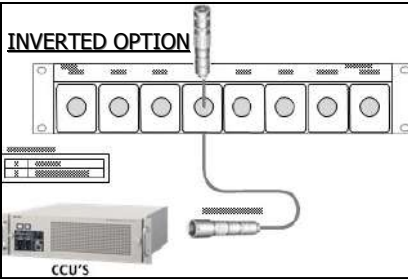
Triax Bulkhead

FIB = Box Version FIP = Panel Version

How many Slots? (6*, 8 or 12*)

FIP-8-I I = Inverted (Connectors angled upwards)

** Available August 2010*



LABEL STRIP OPTIONS

FIW = Wall/Floor/Ceiling Mount

How many Slots? (2, 3, 4, 5 or 6)

FIW-5-F F, S or A (Flat, Stacked* or Angled)

** Stacked: 2 Rows*



FIW-6-S



FIW-2-F



FIW-5-F



FIW-5-A

FIW